

# ASSEMBLY INSTRUCTIONS

## BASE CABINET

Part	Description	Qty	Part	Description	Qty	Part	Description	Qty
A	Face-frame with door	2	E	Back Panel	2	N	Corner Brace	12
B	Side panel	2	H	Toe Kick	2	m	Screw 3*14	48
C	Shelf With Lazy Susan	1	O	Metal clip	2	g	Screw 3*25	19
D	Bottom Panel With Lazy Susan	1	P	Round head screw 3×12	6			

**This instruction applies to the following item: DCB3612.**

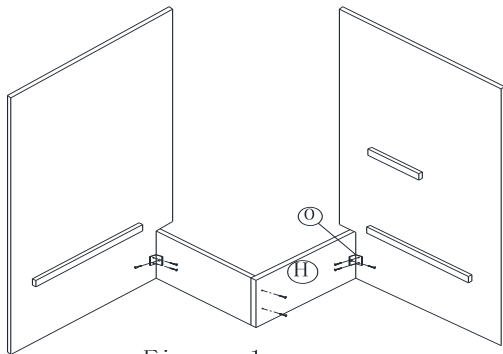


Figure 1

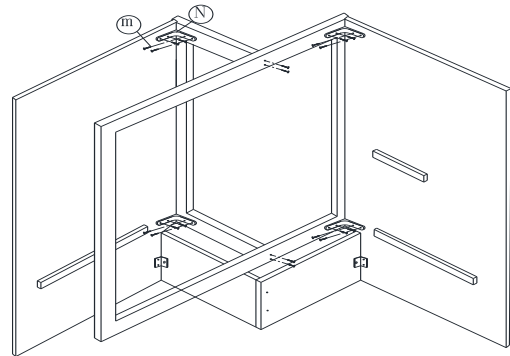


Figure 2

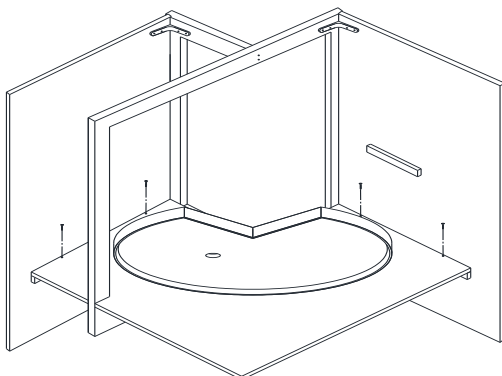


Figure 3

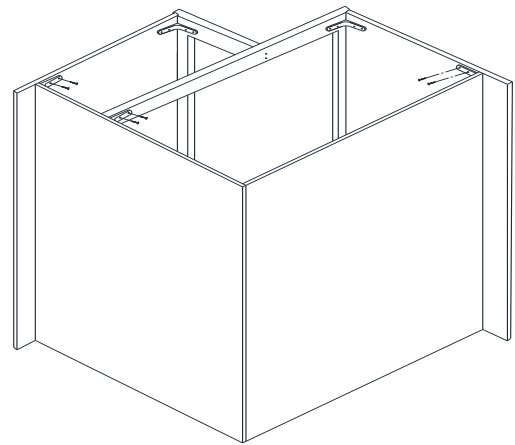


Figure 4

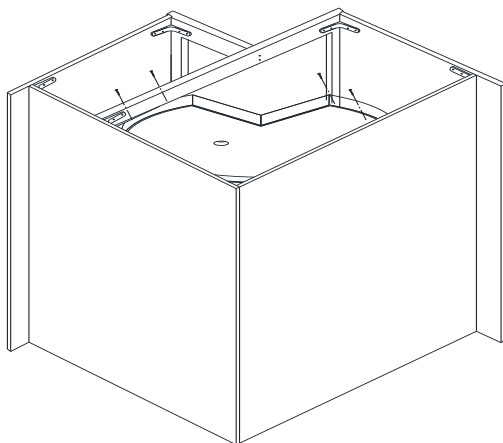


Figure 5

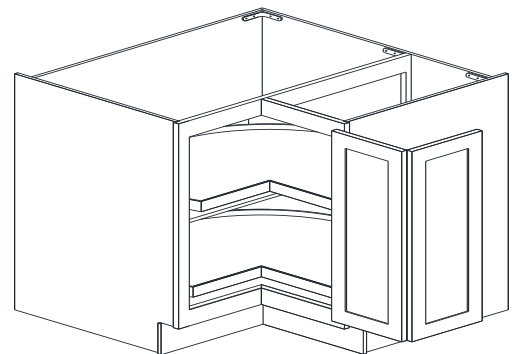


Figure 6